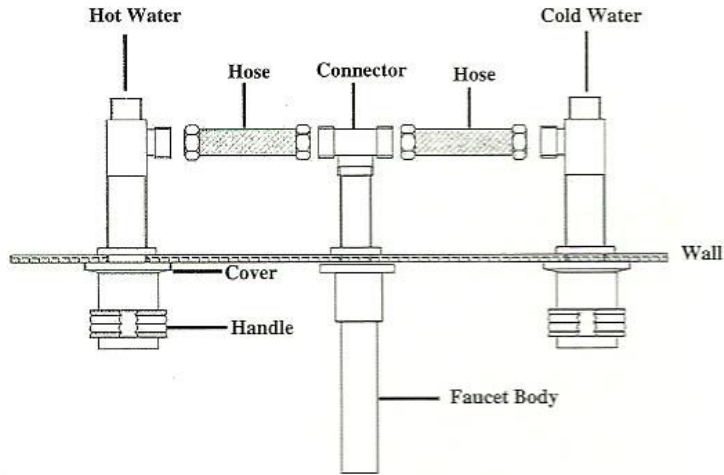


Instruction Paper

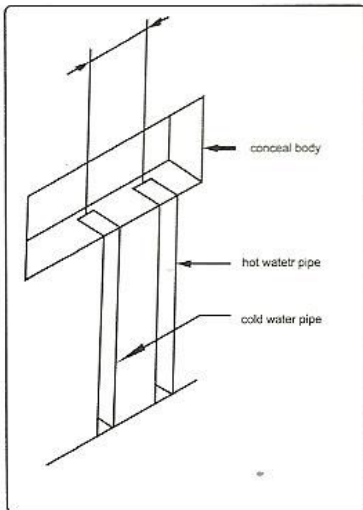
Enjoy the water

Deck/Wall-mounted basin/bathtub/kitchen mixer

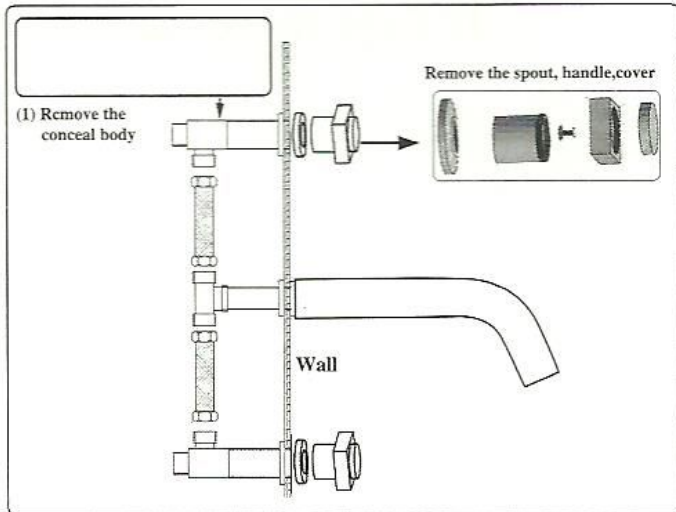
Wall-Mounted Widespread Faucet (I)



Installation Proccss:

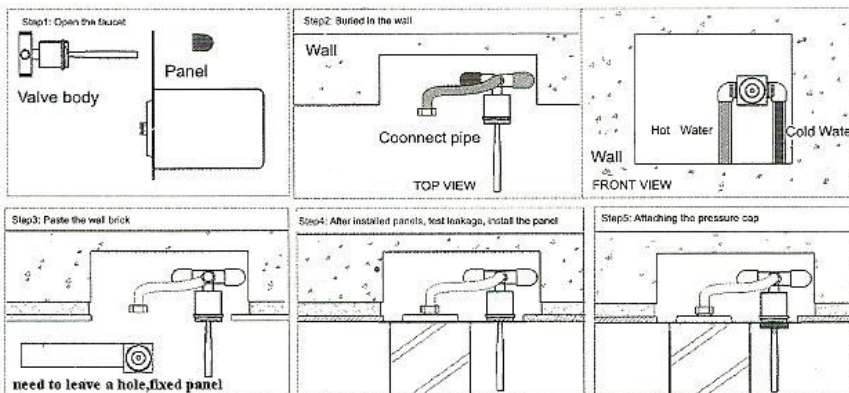
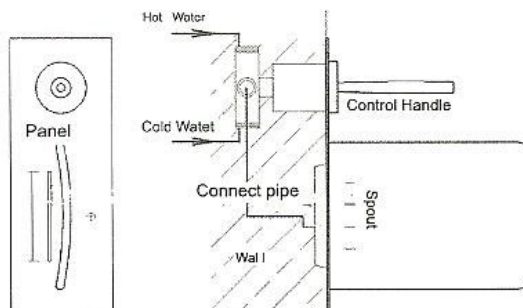


1. Drill the wall as the above drawing accrding, to the dimension of the faucet. They are includes the main body conceal hole, cold water pipe hole, hot water pipe hole.

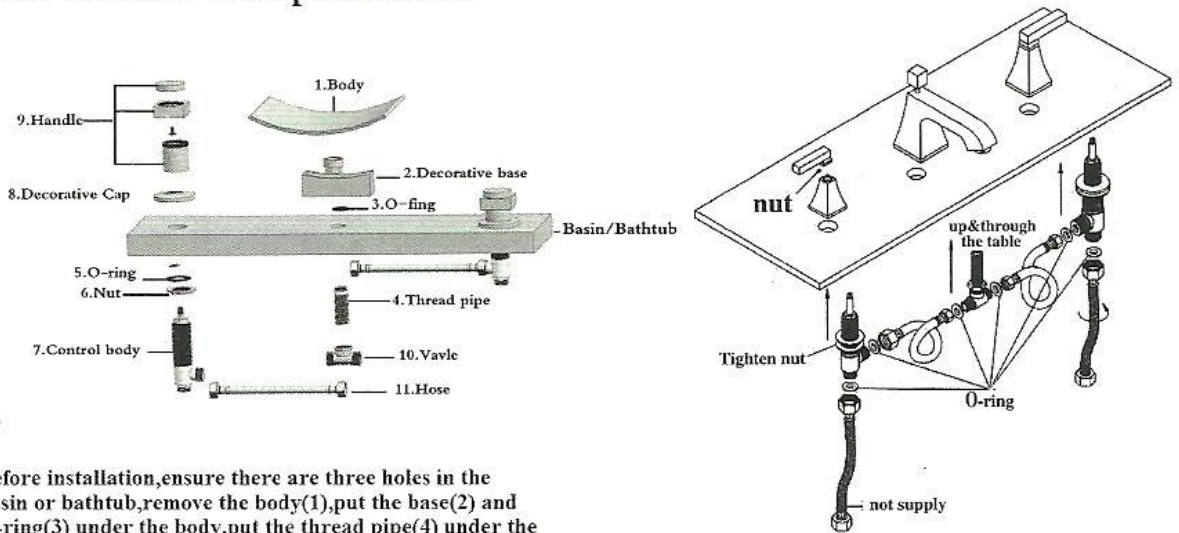


2. Remove the conceal body and Remove the spout, handle, cover as picture fist. Put the main faucet body inside the hole; conect it with cold water pipe and hot water pipe. then use two hose & connector connect the conceal body. then turn on water supply to check all connect point if leakage.

Wall-Mounted Widespread Faucet (II)



Deck-Mounted Widespread Faucet



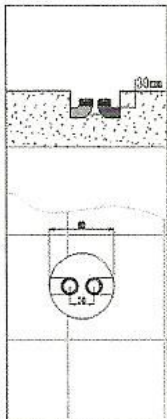
1. Before installation, ensure there are three holes in the basin or bathtub, remove the body (1), put the base (2) and O-ring (3) under the body, put the thread pipe (4) under the basin or bathtub, tighten the nut with wrench.

2. Remove the handle (9), decorative cap (8) from the control water body, put the control body (7) through the basin/bathtub bottom, then screw down the control body nut (6) and O-ring (5) under the basin/bathtub.

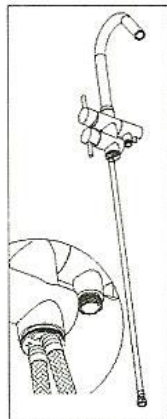
3. Connect the triple valve to the the body, and then separately connect the two hose with the two control body.

4. Separately connect another inlet hose to angle valve and control body. left is hot water, right is cold

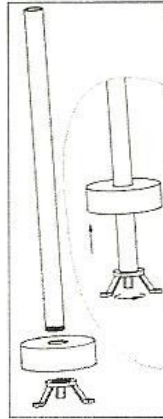
Floor Standing Tub And Shower Faucet



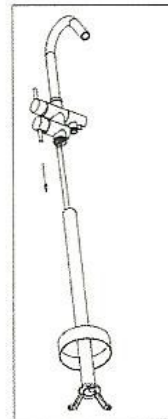
1. Drill the floor as above drawing about 30mm.
Note: Bried hot&cold pij under horizon about 30mm



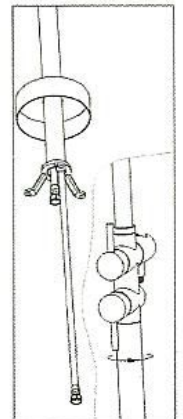
2. Connect the hot&cold hoses as above drawing red is hot pipe, blue is cold pipe.



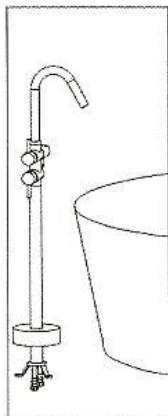
3. Set up the decorate cover to the long tube, tighten the fixed jaw.



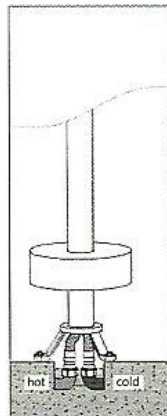
4. Put the hose through the long tube.



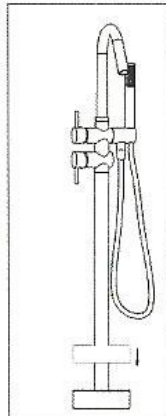
5. Put the cold&hot through the long tube and tighten them.



6. Pls note the position when you Drill the holes. Pls ensure the faucet spout to get the bathtub.



7. Tighten the inlet pipes and the fixed jam.

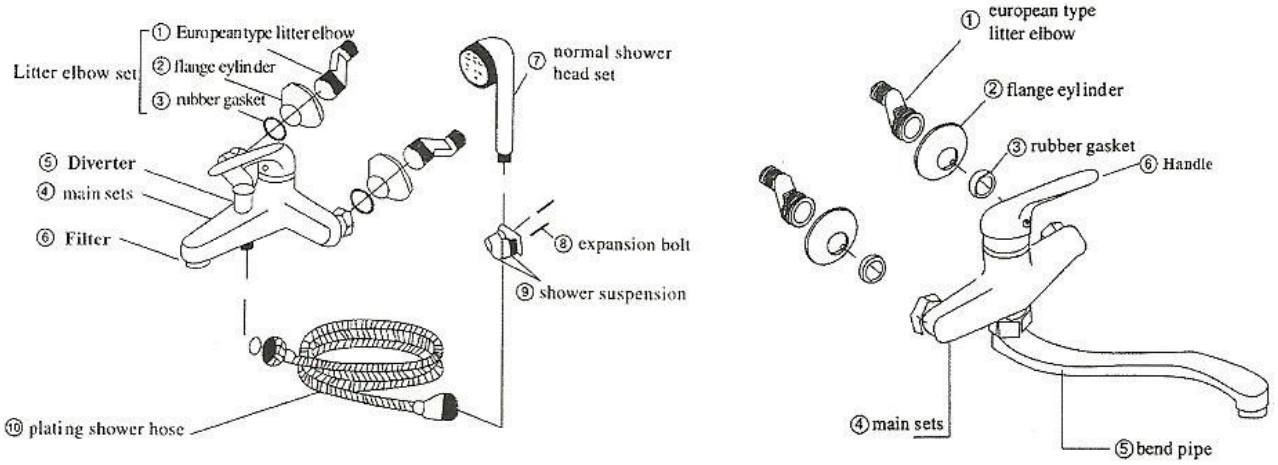


8. Press the decorate cover and connect the hand shower.

◆ Maintenance:

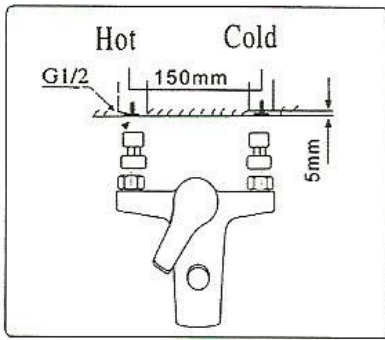
- Clean the faucets and showers as and when required. Regular cleaning can prevent calcification. clean exterior dirt by warm, mild liquid or colorless glass fabric cleanser, or shine.
- No usage of the cleaner, emery cloth, paper with frictional function or drawknife and the acid cleaner, non-dissolved solid cleaner, soap and so on.
- If you find it has dust accumulated in filter, you can open the filter mouth, and wash clearly, then fit it.

Wall-Mounted Bath-Shower&Kitchen Mixer

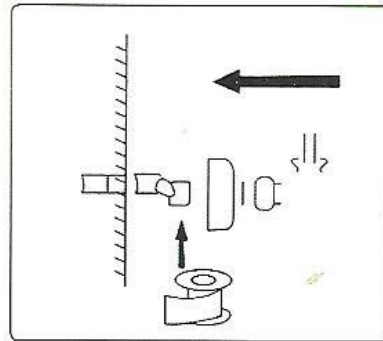


• Installation Process:

- ◆ Before installation, please make sure none of dirt in the pipes to prevent faucet jam.

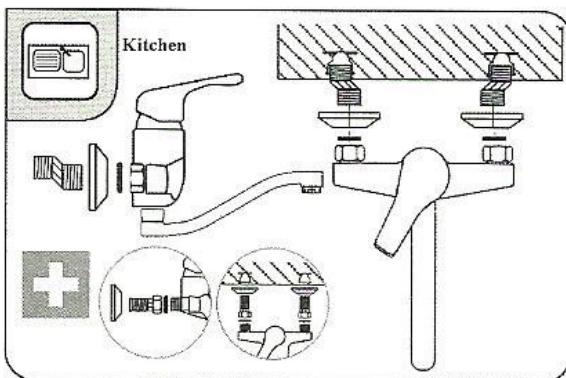
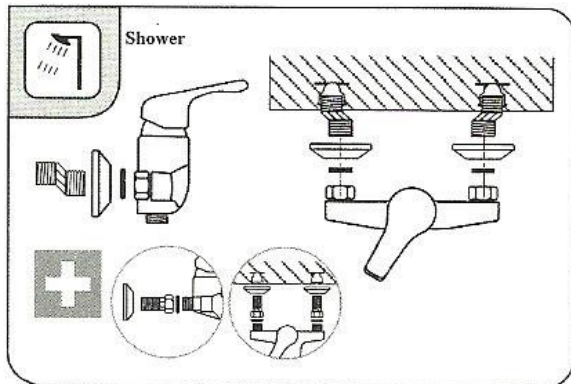
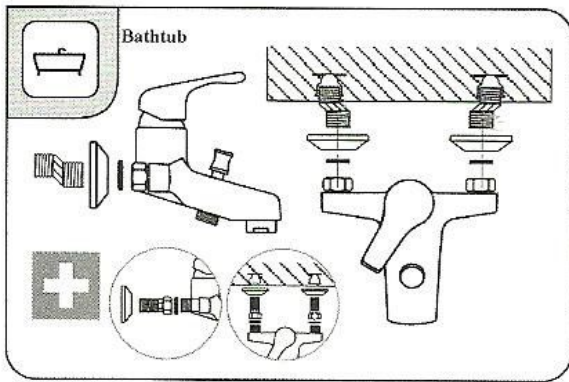


1. Fix hose inside the wall:
The diameter of hose is G1/2.



2. Joint units with using hermetic band.

3. Fix Bath tub & shower & kitchen mixer as below figures:



• Instruction:

◆ Handle Usage:

1. Turn the handle up, the water runs out; contrary, turn off.
2. Turn handle left, flow of hot water enhances when flow of cold water will be lessens, temperature of water is up; reversely, the temperature of water is down.

◆ Diverter Usage:

1. Lift the diverter, the water comes from shower not filter;
2. Press the diverter, the water comes from filter not shower;

Ps: Some diverter to be rotated left or right between the shower and filter.