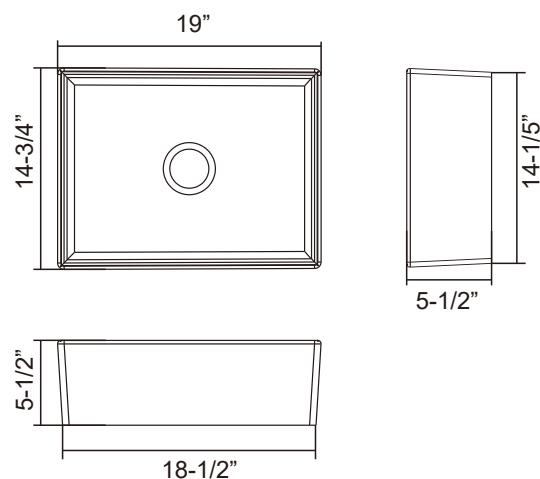
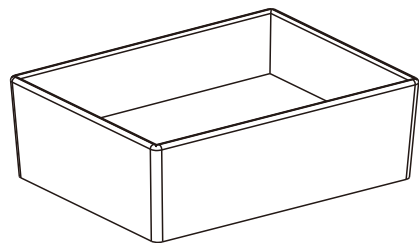
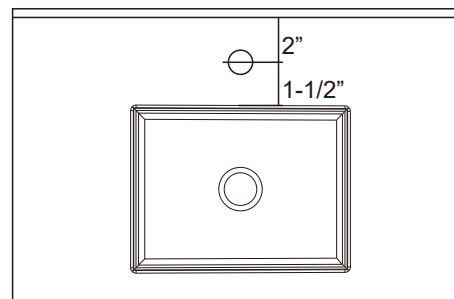


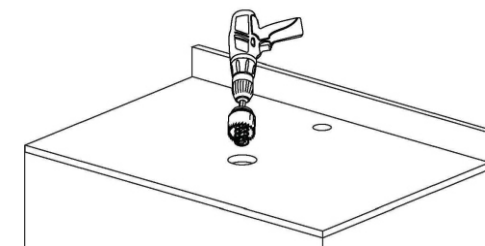
# INSTALLATION MANUAL



Dimensions

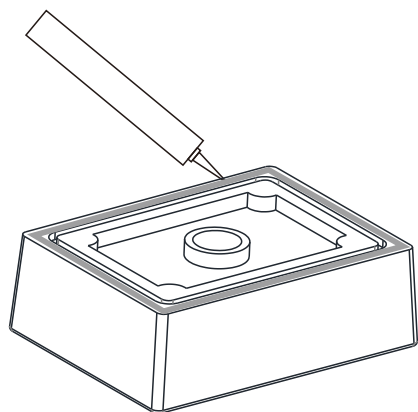


1: Place sink in desired location on countertop and mark drain hole and faucet hole centerline with a pencil.

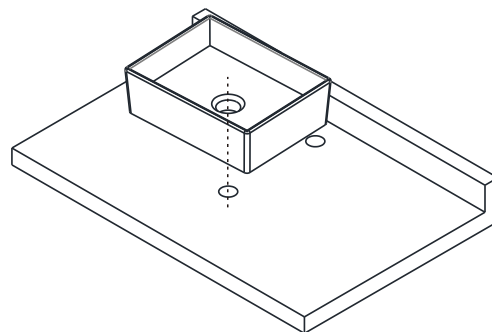


2: Cut the drain opening in the countertop by carefully placing the 4" hole saw on the area marked by pencil.

## Tools you will need:

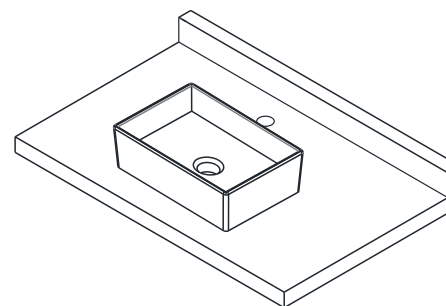


3: Check the alignment of the sink to the opening in the countertop. Use a bead of clear silicone (or preferred adhesive) around the underside of the sink.



4: Carefully align the bottom of sink with the drain hole and press firmly.

Allow sealant to set for 30 - 60 minutes.



5: Connect drain to sink. Connect trap to drain. Connect water supply connections to faucet according to manufacturer's instructions.

Run water into sink and check for leaks.

## Notes:

1. Make sure clearance is suitable for backsplash, faucet and sink plumbing.

2. Please allow a minimum of 3 1/2" from wall to edge of sink for faucet placement clearance.

3. Use acetone or rubbing alcohol to remove any excess sealant immediately after application.